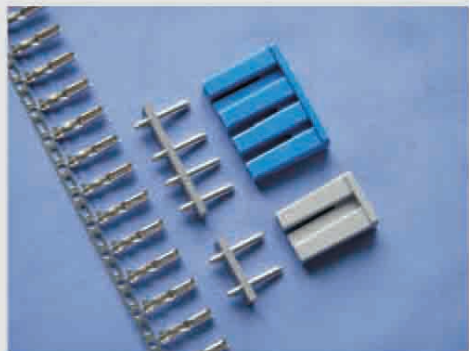


B600001

TJC4



主要技术特性 (Main Specifications)

- ▶ 适用导线规格 (Applicable wire) : AWG24#~20#
- ▶ 适用基板厚度 (Applicable PC board thickness) : 1.6mm
- ▶ 温度范围 (Temperature range) : -25℃~+85℃
- ▶ 额定电压 (Voltage rating) : 250V AC, DC
- ▶ 额定电流 (Current rating) : 5A AC, DC
- ▶ 接触电阻 (Contact resistance) : $\leq 0.02\Omega$
- ▶ 绝缘电阻 (Insulation resistance) : $\geq 1000M\Omega$
- ▶ 耐压 (Withstanding voltage) : 1500V AC/minute

材料及电镀规格 Material and Finish

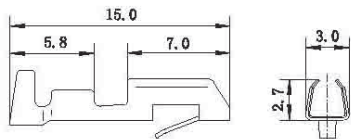
型号 Type	材料 Material	材料厚度 Material Thickness	电镀规格 Finish
插座 WAFER	塑胶 HOUSING	PA66 UL94V-0	N/A
	针PIN	黄铜 Bars	镀锡 Tin-plated
孔座 HOUSING	PA66 UL94V-0	—	N/A
端子 TERMINAL	锡青铜 Phosphor bronze	0.25mm	镀锡 Tin-plated

产品尺寸图 Product size chart

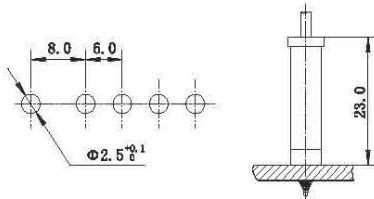
 单位: mm 一般公差: ± 0.20

TERMINAL

B800001-4 TJC1

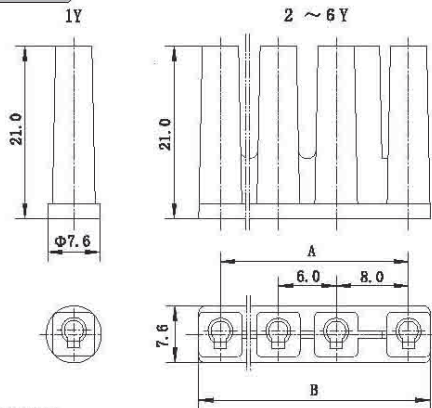


安装尺寸 (Mounting measurement)



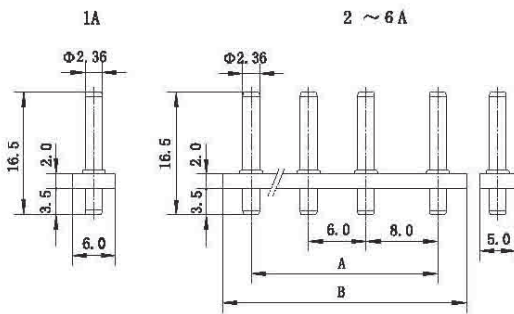
HOUSING

B600001-2



WAFER

B600001-1



HOUSING

极数 Circuits	型号 Type	尺寸 (Dimensions) mm		备注型号 P. S. Type
		A	B	
1	B600001-2-01	-	-	TJC4-1Y
2	B600001-2-02	8.0	13.5	TJC4-2Y
3	B600001-2-03	14.0	19.5	TJC4-3Y
4	B600001-2-04	20.0	25.5	TJC4-4Y
5	B600001-2-05	26.0	31.5	TJC4-5Y
6	B600001-2-06	32.0	37.5	TJC4-6Y

WAFER

极数 Circuits	型号 Type	尺寸 (Dimensions) mm		备注型号 P. S. Type
		A	B	
1	B600001-1-01	-	-	TJC4-1A
2	B600001-1-02	8.0	14.0	TJC4-2A
3	B600001-1-03	14.0	20.0	TJC4-3A
4	B600001-1-04	20.0	26.0	TJC4-4A
5	B600001-1-05	26.0	32.0	TJC4-5A
6	B600001-1-06	32.0	38.0	TJC4-6A